

Chamiko®

air



33 PIECE AIR TOOL KIT

MODEL NO: CAT133

PART NO: 3120147

OPERATING & MAINTENANCE INSTRUCTIONS

UK
CA | CE

ORIGINAL INSTRUCTIONS

GC0622 Rev 2

INTRODUCTION





Thank you for purchasing this CLARKE Air Tool Kit.

Before attempting to use this product, please read this manual thoroughly and follow the instructions carefully. In doing so you will ensure the safety of yourself and that of others around you, and you can look forward to your purchase giving you long and satisfactory service.

Your tool kit has been designed to give long and trouble free service. If, however, having followed the instructions in this booklet carefully, you encounter problems, take the unit to your local CLARKE dealer.

IMPORTANT

Please read all of the safety and operating instructions carefully before using this product. The following safety symbols are to be found on the air tools.

	Read this instruction booklet carefully before use.		Wear ear protection.
	Wear eye protection.		Wear dust mask.

GUARANTEE

This product is guaranteed against faulty manufacture for a period of 12 months from the date of purchase. Please keep your receipt which will be required as proof of purchase.

This guarantee is invalid if the product is found to have been abused or tampered with in any way, or not used for the purpose for which it was intended.

Faulty goods should be returned to their place of purchase, no product can be returned to us without prior permission.

This guarantee does not effect your statutory rights.

GENERAL SAFETY RULES



CAUTION: FAILURE TO FOLLOW THESE PRECAUTIONS COULD RESULT IN PERSONAL INJURY, AND/OR DAMAGE TO PROPERTY.

WORK ENVIRONMENT

1. Keep the work area clean and tidy.
2. Dress appropriately - Do not wear loose clothing or jewellery. Tie long hair out of the way.
3. Keep children and visitors away - Do not let children handle the tool.
4. Do not operate the tool where there are flammable liquids or gases.

PERSONAL SAFETY

1. Stay alert and use common sense - do not operate the air tool when you are tired or under the influence of alcohol, drugs or medication.
2. Always wear eye protectors when using the tool - Eye protectors must provide protection from flying particles from the front and the side.
3. Always wear ear protectors when using the air tool.
4. Always wear a dust mask when operating this type of tool.
5. Do not overreach - Keep proper footing and balance at all times.
6. **Remove any wrench before turning the power tool on.** A wrench left attached to a rotating part of the power tool may result in personal injury.

USE OF AIR POWERED TOOLS

1. Never use oxygen, CO₂, combustible gases or any type of bottled gas as a source of power for the tool.
2. Do not connect the air supply hose with your finger on the trigger.
3. Do not exceed the maximum pressure for the tool of 90 psi / 6.2 bar.
4. Check hoses for leaks or worn condition before use, and ensure that all connections are secure.
5. Do not use the tool for any other purpose than that described in this manual.
6. Keep the air supply hose away from heat, oil and sharp edges.
7. Do not fit the tool to any stand or clamping device that may damage it.

8. Do not carry out any alterations or modifications to the tool.
9. Always disconnect from the air supply when:
 - Performing any maintenance.
 - The tool is not in use.
 - The tool will be left unattended.
 - Moving to another work area.
 - Passing the tool to another person.
10. Never use the tool if it is defective or operating abnormally.
11. The tool should be serviced at regular intervals by qualified service personnel.
12. Avoid damaging the tool by applying excessive force of any kind.
13. Always maintain the tool with care. Keep it clean for the best and safest performance.
14. Quick change couplings should not be located at the tool. They add weight and could fail due to vibration.
15. Do not force or misuse the tool. It will do a better and safer job at the rate for which it was designed.
16. Do not remove any labels. Damaged labels should be replaced.
17. This tool vibrates with use. Vibration may be harmful to your hands or arms. Stop using the tool if discomfort, a tingling feeling or pain occurs. Seek medical advice before resuming use.

USE OF THE CUT-OFF TOOL

1. Try to hold the cut-off tool with both hands. Ensure that the workpiece is kept at waist height where possible. Never use the tool between the legs whilst sitting on the floor.
2. For cutting, always feed the disc into the work so that an upcutting action is achieved.
3. Ensure that sparks and particles resulting from use do not create a hazard. Use screens where appropriate.
4. Never bump the cutting disc on the workpiece, or let the disc hit any other objects while cutting.
5. Always allow the cut off tool to run up to full operating speed before applying it to the job.
6. Use clamps, or vices to hold the workpiece. Failure to secure the workpiece could result in personal injury.

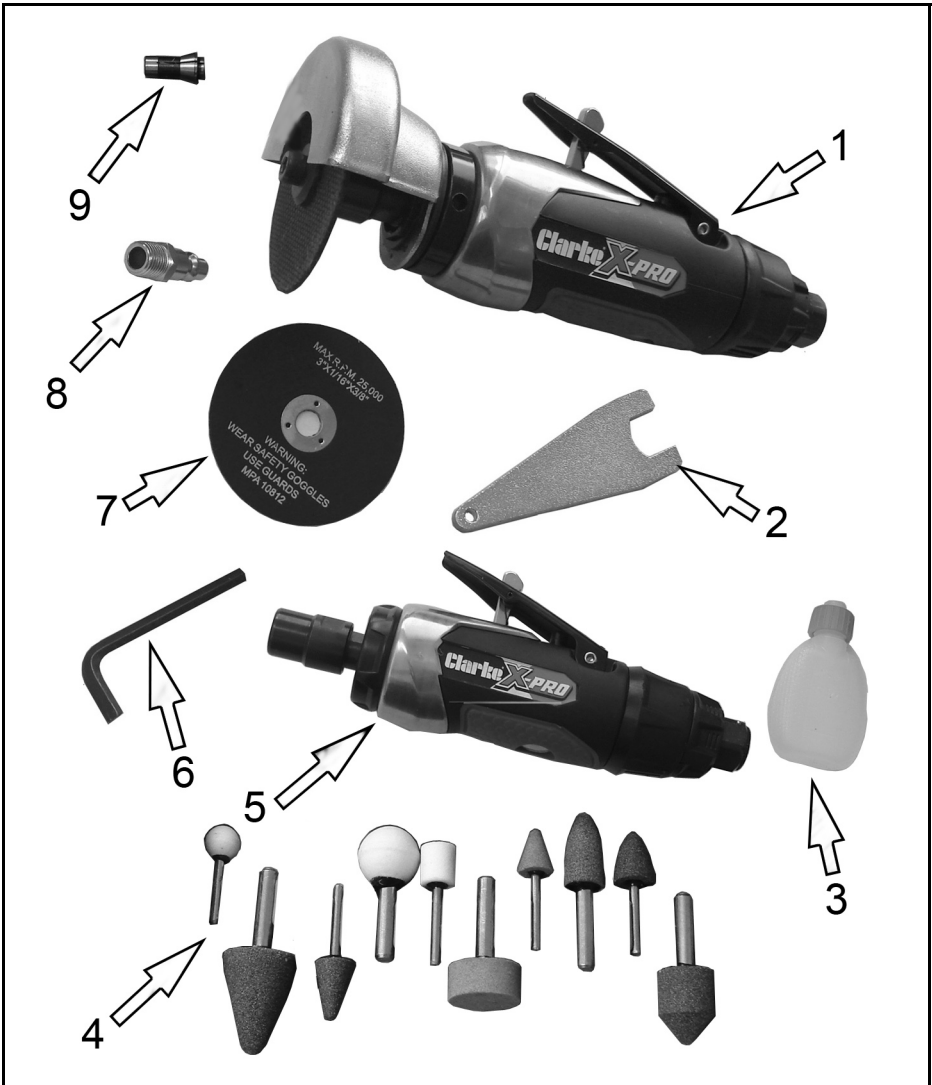
USE OF CUTTING DISCS

1. Never use cracked or chipped cutting discs.
2. Never use non-reinforced cutting discs.
3. Only use for cutting operation Never use the side of the cutting disc for grinding.
4. Never use a disc that is chipped, cracked or damaged. Fragments from a broken or damaged disc can cause serious injury. Make sure that defective discs are destroyed and not used.
5. Bonded abrasive products are breakable and shall therefore be handled with utmost care. The use of damaged or improperly mounted or used abrasive products is dangerous and can cause serious injuries.
6. Always refer to the label for specified usage and observe the safety information. Do not use for purposes other than specified.
7. Always use the correct disc for its intended task. Using the incorrect disc can cause serious injury.
8. Allow the disc and tool to do the work. Never force the disc onto the workpiece as this could cause kickback and/or shatter the disc causing serious injury. Kickback can occur in the event of a disc jam.
9. Do not use cutting discs for side grinding. Do not put sideways pressure on cutting discs.
10. Do not force a disc onto a machine or alter the size of the arbor hole.
11. Abrasive products must be handled and transported with care. Abrasive products shall be stored in such a manner that they are not subjected to mechanical damage and harmful environmental influences. It is recommended that discs are stored in the case provided to protect them from damage.

TRANSPORTATION AND STORAGE

1. Never carry the tool by the air supply hose.
2. Never carry the tool with your finger on the trigger.
3. When not in use the tool should be disconnected from the air supply and stored in a dry place out of the reach of children (preferably in a locked cabinet).
4. Avoid storing the tool in environments where the temperature is below 0°C.

OVERVIEW



The CAT133 Air Tool Kit includes a Die Grinder and Cut-off Tool, together with the accessories shown. When opening the case for the first time, check against the following list that all the items are present. Any damage or deficiency should be reported to your CLARKE dealer immediately.

CONTENTS OF THE KIT

NO	DESCRIPTION	NO	DESCRIPTION
1	CAT127 Cut-off Tool	6	Hex Key
2	3 x Wrenches	7	13 x Cutting Discs
3	Oil Bottle	8	2 x Male Snap Connectors
4	10 Grinding Stones	9	3 x Collets (1 already fitted to tool)
5	CAT128 Die Grinder		

SPECIFICATIONS

Model Number	CAT127 Cut-off Tool	CAT128 Die Grinder
Dimensions (L x W x H)	210 x 90 x 75 mm	172 x 46 x 68 mm
Weight	0.9 kg	0.4 kg
Air Inlet Size	1/4" BSP (female)	1/4" BSP (female)
Operating Pressure	90 psi (6.2 bar)	90 psi (6.2 bar)
Air Consumption	5 cfm average / 16 cfm at max load	4 cfm average / 16 cfm at max load
No Load Speed	20000 rpm @ 90psi	25000 rpm @ 90psi
Sound Pressure Level (LpA dB)	77 dB(A)	88 dB(A)
Sound Power Level (LwA dB)	88 dB(A)	99 dB(A)
Vibration Levels	2.38 m/s ²	2.9 m/s ²
Disc Size (dia & thickness)	3" x 1/16"	
Disc Bore Size	3/8"	

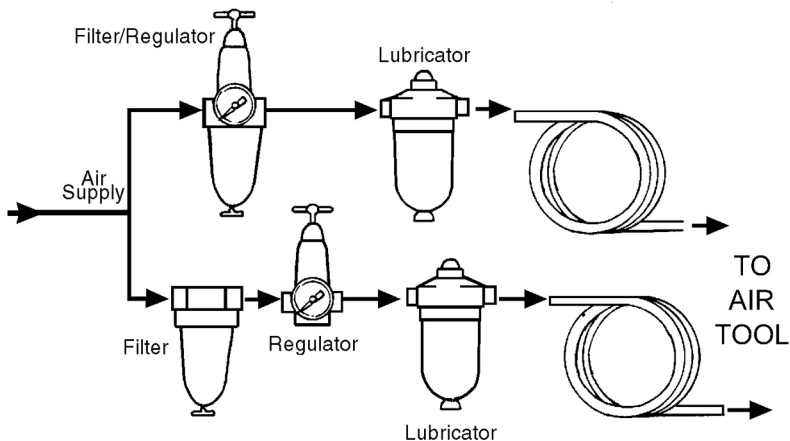
Please note that the details and specifications contained herein are correct at the time of going to print. However CLARKE International reserve the right to change specifications at any time without prior notice. Always consult the machine's data plate.

COMPRESSED AIR REQUIREMENTS



WARNING: COMPRESSED AIR CAN BE DANGEROUS. ENSURE THAT YOU ARE FAMILIAR WITH ALL PRECAUTIONS RELATING TO THE USE OF COMPRESSORS AND COMPRESSED AIR SUPPLY.

- Use only clean, dry, regulated compressed air as a power source.
- Air compressors used with the tool must comply with the appropriate European Community Safety Directives.
- A build-up of moisture or oil in the air compressor will accelerate wear and corrosion in the tool. ensure any moisture is drained from the compressor daily and the inlet filter is kept clean.
- If an unusually long air hose is required, (over 8 metres), the line pressure or the hose inside diameter may need to be increased.
- The air hose must be rated at least 150% of the maximum operating pressure of the tool.



- A typical air line layout is shown above. If an automatic in-line filter/regulator is used, it will keep the tool in good condition, but should be regularly checked and topped up with oil. SAE 10 oil should be used, and the lubricator adjusted to approx 2 drops per minute.
- Never exceed the maximum operating pressure for the tool. It is recommended that air pressure to this tool does not exceed 90 psi at the tool when running. Higher pressures and unclean air will shorten the life of the tool due to faster wear and is a possible safety hazard.

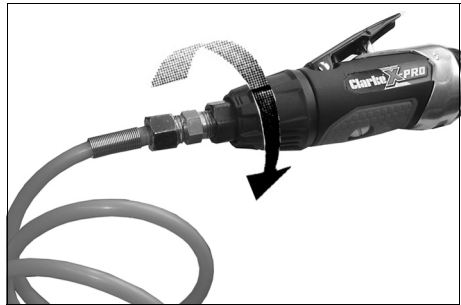
BEFORE USE



WARNING: COMPRESSED AIR CAN BE DANGEROUS. ENSURE THAT YOU ARE FAMILIAR WITH ALL PRECAUTIONS RELATING TO THE USE OF AIR COMPRESSORS AND COMPRESSED AIR SUPPLIES.

NOTE: Ensure the compressor is turned off.

1. Remove the blanking plug from the inlet connection of the tool.
2. If required, connect an in-line mini oiler to the tool.
 - A mini oiler helps to prolong the life of the air tool.
3. If a mini-oiler is not being used, run a few drops of oil through the tool before use. It can be entered through the air inlet or via the hose at the nearest connection to the air supply.
4. Connect a suitable hose to the air inlet as shown.
5. Connect the other end of the hose to the compressor.



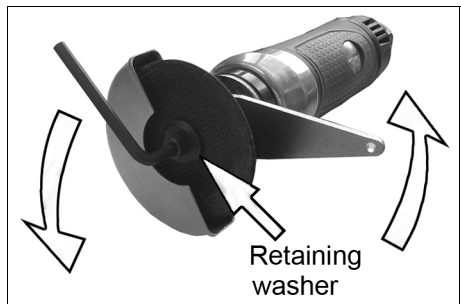
Your air tool is now ready for use.

You can fit a whip hose with a quick fit coupling if required (available from your Clarke dealer).

FITTING THE CUTTING DISC TO THE CUT-OFF TOOL

1. Ensure the disc being fitted has a speed rating greater than 20,000 rpm which is the maximum speed of the tool.
2. Install the disc and retaining washer using the spanner and hex key supplied.

NOTE: When fitting the cutting disc, always ensure that the side of the disc with the metal centre faces away from the tool, so as to touch the retaining washer.



IMPORTANT: Use the correct disc. Using an incorrect disc can cause serious injury. The use of parts other than CLARKE replacement parts may result in safety hazards, decreased tool performance and may invalidate your warranty.

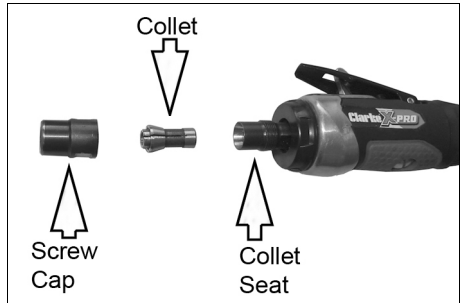
Replacement cutting discs are available from your Clarke dealer. (Part number 3110731).

INSTALLING THE COLLET TO THE DIE GRINDER

1. Select the grinding stone you require.
2. Collets of different sizes are provided. Select whichever fits the shank of the stone you have chosen.

- The larger collet is probably already installed in the grinder.

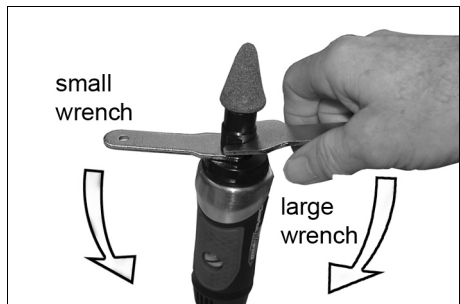
3. If the other collet is to be used, undo the screw cap completely and pull out the collet from the collet seat. Replace it with the new collet and screw the cap loosely back on.



FITTING THE GRINDING STONE INTO THE DIE GRINDER

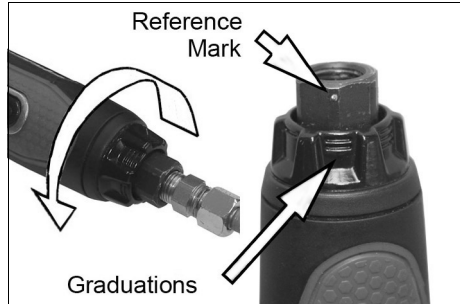
IMPORTANT: Never use chipped or cracked grindstones. Never use grindstones not rated to operate at a speed equal to, or greater than, the full operating speed of the air tool.

1. Slip the shank of the chosen stone into the collet and tighten the screw cap finger tight.
2. Place the smaller of the two wrenches over the collet seat to stop the tool from rotating.
3. Use the larger wrench to fully tighten the collet and grip the stone in position as shown.



SETTING THE SPEED

1. Set the tool speed by rotating the control to one of the four settings.
 - The graduations on the speed control indicate the speed setting when aligned with the reference mark on the air inlet.
 - Speeds available for the Die Grinder are: 8300, 13000, 22000 or 25000 rpm (+/-10%).
 - Speeds available for the Cut-off Tool are: 4880, 6800, 15400 or 20000 rpm (+/-10%).



OPERATING THE TOOL

1. Use your thumb to slide the throttle locking lever forward while squeezing the trigger against the body of the tool.

NOTE: The direction of rotation of the cut off tool is shown by the arrow on the disc guard.

2. Do not use excess pressure on the grinding stone or cut-off disc as this will shorten its life.
3. Release the trigger to stop the tool.
 - The tool will continue to rotate very briefly after the trigger has been released.
4. Always ensure the tool has stopped before putting it down.



CUTTING TIPS

- Do not force the disc through the material. Work with a feed rate that is suited to the material being cut.
- Do not subject the cutting disc to sideways pressure.
- The direction of the cutting motion is important. Always feed the cutting disc into the work so that it cuts in an upward direction. If you do not do this it can result in the disc climbing out of the cut in an uncontrolled manner and may lead to loss of control or serious injury.

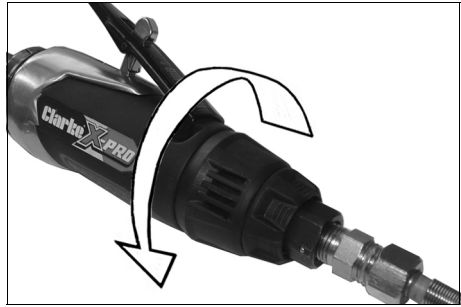
GRINDING TIPS

- The key to efficient grinding is to control the pressure and surface contact between the grinding tool and the workpiece.
- Allow the tool to reach full speed before grinding.
- Avoid overloading the die grinder. If it becomes hot during use, rest for a few minutes while it cools down.

SETTING THE EXHAUST AIR DEFLECTOR

The direction of the exhaust air leaving the tool can be adjusted by rotating the exhaust air deflector.

Twist the exhaust air deflector sleeve to direct the air as required away from the workpiece or operator.



DISCONNECTING THE AIR SUPPLY

1. Do not disconnect the air supply hose until the compressor has been shut down and the compressed air released.
2. Refer to the compressor instruction manual for the procedure to shut down and release the compressed air.
3. Once the pressure has been released, disconnect the air supply hose from the tool.

MAINTENANCE



WARNING: MAKE SURE THAT THE AIR TOOL IS DISCONNECTED FROM THE AIR SUPPLY BEFORE STARTING ANY CLEANING OR MAINTENANCE PROCEDURES.

DAILY

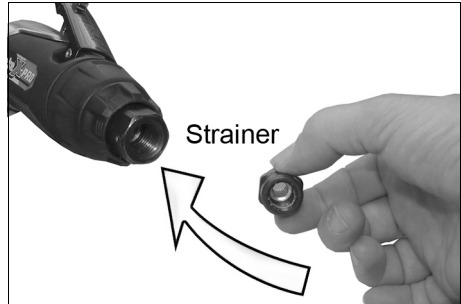
1. Before use, drain water from the air tank, air line and compressor.
2. Pour a few drops of CLARKE airline oil, into the air inlet. This should be carried out regardless of whether or not an in-line mini oiler is used. If an in-line mini oiler is not used, this procedure should be repeated after every two to three hours of use.

WEEKLY

1. Check the air inlet strainer for blockage and clean if necessary.

CLEANING

1. Keep the body of each tool clean and free from debris.
2. Grit or gum deposits inside the tool may also reduce its efficiency. This condition can be corrected by cleaning out the air strainer and flushing out the tool with gum solvent or oil, or failing this, the motor may require dismantling. This is better left to your Clarke dealer.



SERVICE AND REPAIR

If the tool runs erratically or becomes inefficient although the air supply is in good order, it may be necessary to dismantle the air motor and replace any worn or damaged parts. Such servicing and repair work should be carried out by a qualified service technician.

PERFORMANCE

Please note that factors other than the tool may effect its operation and efficiency such as reduced compressor output, excessive drain on the airline moisture or restrictions in the air-line, or the use of connectors of improper size or poor condition which will reduce air supply.

**Clarke Air Line Oil (part no. 3050825) is available from your CLARKE dealer.

STORAGE

If the tool is to be stored, or is idle for longer than 24 hours, run a few drops of Clarke air line oil into the air inlet, and run the tool for 5 seconds in order to lubricate the internal parts.

When not in use, disconnect from air supply, clean tools and store in the moulded case provided. When storing, ensure the blanking plug is replaced on the airline connector once the airline is disconnected.

ACCESSORIES

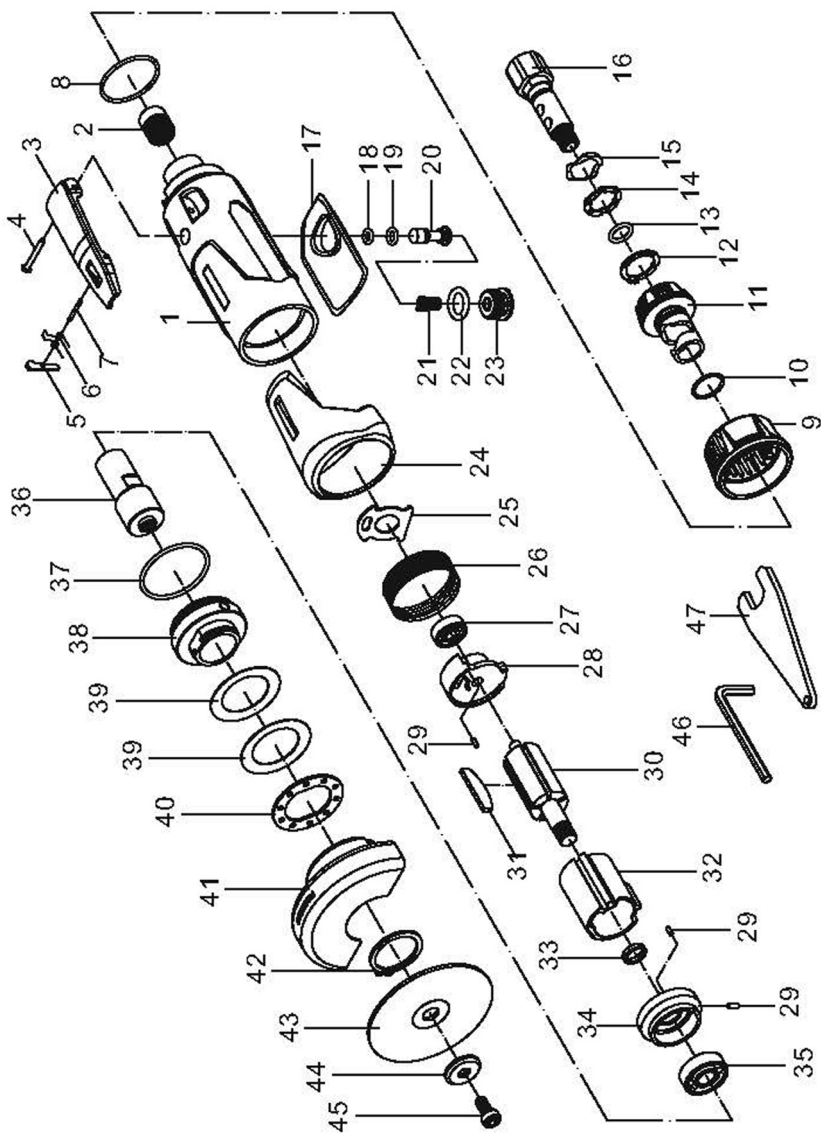
A wide range of accessories is available including filter/regulators, lubricators, high-pressure hoses (5 to 50 metres) etc.

Contact your CLARKE dealer for further information or CLARKE International Service Department.

TROUBLESHOOTING

SYMPTOM	PROBLEM	SOLUTION
Tool runs at normal speed but slows down under any load.	<ol style="list-style-type: none"> 1. Excessive pressure on tool. 2. Motor parts worn. 3. Worn or sticking mechanism due to lack of lubricant. 	<ol style="list-style-type: none"> 1. Reduce the force applied to the tool. 2. Return to Clarke dealer for repair. 3. Drip air tool lubricating oil into air inlet. Allow oil to soak moving parts before using.
Tool runs slowly. Air flows weakly from exhaust.	<ol style="list-style-type: none"> 1. Motor parts jammed with gum/dirt. 2. Regulator in closed position. 3. General airflow blocked by dirt. 	<ol style="list-style-type: none"> 1. Examine inlet air filter for cleanliness. 2. Adjust regulator to open position. 3. Operate tool in short bursts.
Tool will not run. Air flows freely from exhaust.	<ol style="list-style-type: none"> 1. Motor vanes stuck due to buildup of foreign material. 	<ol style="list-style-type: none"> 1. Disconnect air supply and rotate tool assembly manually. 2. Try operating tool in short bursts. 3. Drip a few drops of air tool lubricating oil into air inlet to soak moving parts.
Tool will not shut off.	<ol style="list-style-type: none"> 1. Throttle O-rings damaged or ill-fitting in seat. 	<ol style="list-style-type: none"> 1. Return to Clarke dealer for repair.

PARTS DIAGRAM - CUT-OFF TOOL

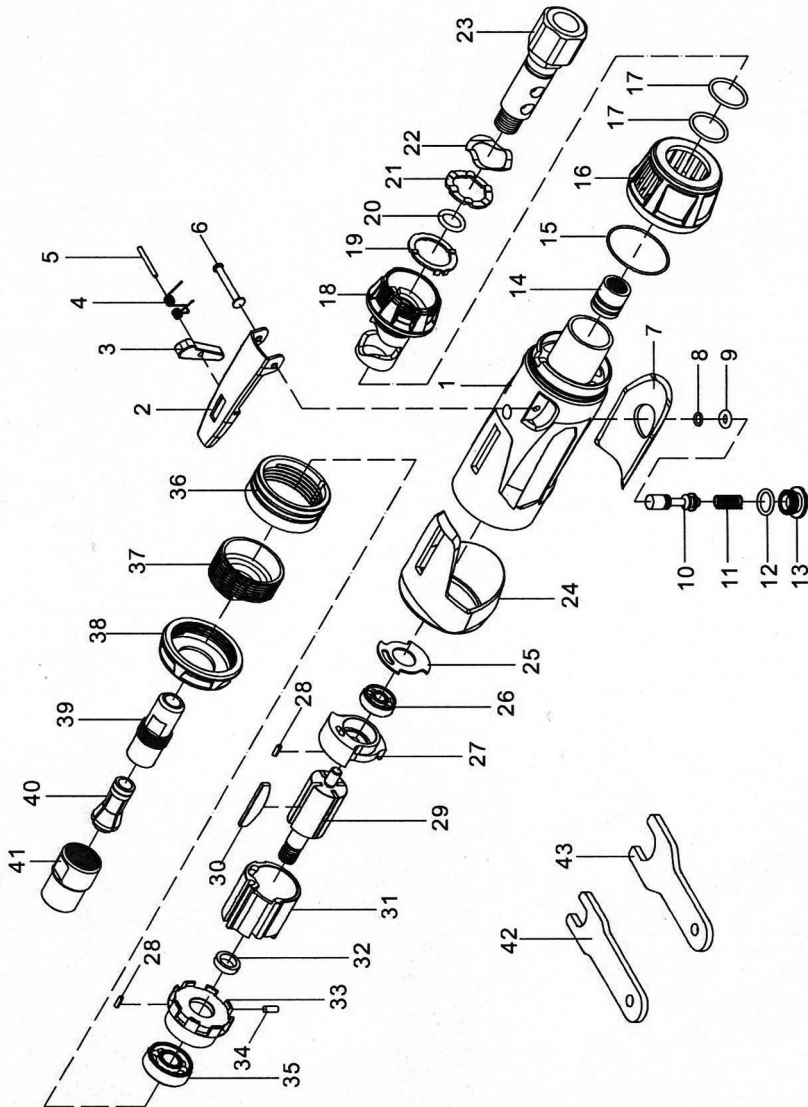


PARTS LIST-CUT - OFF TOOL

No	Description
1	Main Housing
2	Valve Bushing
3	Trigger
4	Trigger Pin
5	Throttle Locking Lever
6	Spring
7	Pin
8	O-Ring
9	Exhaust Deflector
10	O-Ring
11	Air Regulator
12	Set Plate
13	O-Ring
14	Set Plate
15	Washer
16	Air Inlet
17	Soft Grip
18	O-Ring
19	O-Ring
20	Valve Stem
21	Valve Spring
22	O-Ring
23	Valve Plug
24	Housing Cover

No	Description
25	Gasket
26	Bushing
27	Bearing
28	Rear Motor Plate
29	Pin
30	Rotor
31	Rotor Blade
32	Cylinder
33	Washer
34	Front Plate
35	Bearing
36	Drive Shaft
37	O-Ring
38	Retaining Ring
39	Washer
40	Angle Retainer
41	Disc Guard
42	Circlip
43	Cutting Disc
44	Retaining Washer
45	Bolt
46	Hex Key
47	Wrench

PARTS DIAGRAM - DIE GRINDER



PARTS LIST - DIE GRINDER

No	Description
1	Main Housing
2	Trigger
3	Lever
4	Spring
5	Pin
6	Trigger Pin
7	Soft Grip
8	O-Ring
9	O-Ring
10	Valve Stem
11	Valve Spring
12	O-Ring
13	Valve Plug
14	Valve Bushing
15	O-Ring
16	Exhaust Deflector
17	O-Ring
18	Air Regulator
19	Set Plate
20	O-Ring
21	Set Plate
22	Gasket

No	Description
23	Air Inlet
24	Housing Cover
25	Gasket
26	Rear Rotor Bearing
27	Rear Plate
28	Pin
29	Rotor
30	Rotor Blade
31	Cylinder
32	Rotor Collar
33	Front Plate
34	Pin
35	Front Rotor Bearing
36	Valve Bushing
37	Clamp Nut
38	Protector
39	Collet Holder
40	Collet
41	Collet Jacket
42	Small Wrench
43	Large Wrench

DECLARATIONS OF CONFORMITY



Fitzwilliam Hall, Fitzwilliam Place, Dublin 2

DECLARATION OF CONFORMITY

This is an important document and should be retained.

We hereby declare that this product(s) complies with the following directive(s):
2006/42/EC Machinery Directive

The following standards have been applied to the product(s):

EN/ISO 11148-9:2011, EN/ISO 11148-7:2012

The technical documentation required to demonstrate that the product(s) meet(s) the requirement(s) of the aforementioned directive(s) has been compiled and is available for inspection by the relevant enforcement authorities.

The CE mark was first applied in: 2013

Product Description: Air Tool Kit
Model number(s): CAT133
Serial / batch Number: N/A
Date of Issue: 07/06/2022

Signed:

J.A. Clarke
Director

CAT133 CE-Clarke-DOC-060722

Page 1 of 1



Hermold Street, Epping, Essex CM16 4LG

DECLARATION OF CONFORMITY

This is an important document and should be retained.

We hereby declare that this product(s) complies with the following statutory requirement(s):
Supply of Machinery (Safety) Regulations 2008

The following standards have been applied to the product(s):

EN/ISO 11148-9:2011, EN/ISO 11148-7:2012

The technical documentation required to demonstrate that the product(s) meet(s) the requirement(s) of the aforementioned legislation has been compiled and is available for inspection by the relevant enforcement authorities.

The UKCA mark was first applied in: 2022

Product Description: Air Tool Kit
Model number(s): CAT133
Serial / batch Number: N/A
Date of Issue: 07/06/2022

Signed:

J.A. Clarke
Director

CAT133 UKCA-Clarke-DOC-060722

Page 1 of 1

A SELECTION FROM THE VAST RANGE OF

Clarke®

QUALITY PRODUCTS



AIR COMPRESSORS
From DIY to industrial, Plus air tools, spray guns and accessories.

GENERATORS
Prime duty or emergency standby for business, home and leisure.

POWER WASHERS
Hot and cold, electric and engine driven - we have what you need

WELDERS
Mig, Arc, Tig and Spot.
From DIY to auto/industrial.

METALWORKING
Drills, grinders and saws for DIY and professional use.

WOODWORKING
Saws, sanders, lathes, mortisers and dust extraction.

HYDRAULICS
Cranes, body repair kits, transmission jacks for all types of workshop use.

WATER PUMPS
Submersible, electric and engine driven for DIY, agriculture and industry.

POWER TOOLS
Angle grinders, cordless drill sets, saws and sanders.

STARTERS/CHARGERS
All sizes for car and commercial use.



PARTS & SERVICE: 0208 988 7400

Parts Enquiries
Parts@clarkeinternational.com

Servicing & Technical Enquiries
Service@clarkeinternational.com

SALES: UK 01992 565333 or Export 00 44 (0)1992 565335

Clarke® INTERNATIONAL Hemnall Street, Epping, Essex CM16 4LG
www.clarkeinternational.com